

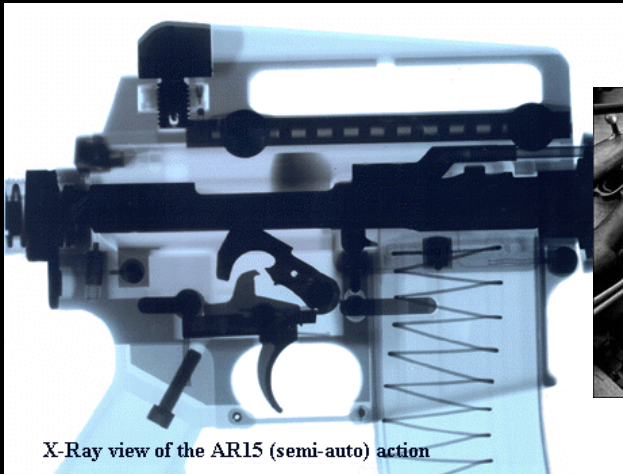
**CONTROLLED CHAOS ARMS**

# **WEAPON MAINTENANCE AND INSPECTION PROGRAM**

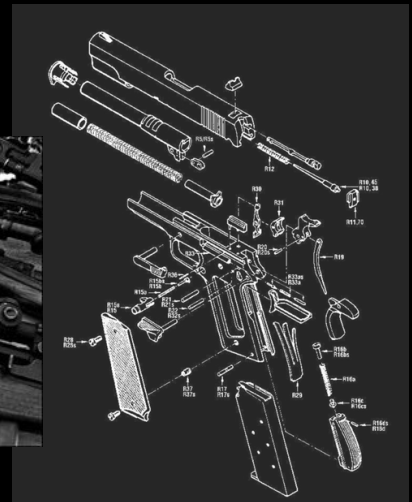
## **THE CCA LAW ENFORCEMENT MAINTENANCE PROGRAM**

**WHETHER WE SEEK TO CALIBRATE OUR SPEED DETECTION EQUIPMENT OR MAINTAIN OUR CRUISERS WE KEEP RECORDS OF OUR QUALITY CONTROL. AT CCA WE'VE ESTABLISHED A WEAPON MAINTENANCE PROGRAM WE CAN TAILOR SPECIFICALLY TO YOUR DEPARTMENT'S NEEDS. ONSITE MAINTENANCE CAN BE THE ANSWER TO MANY PROBLEMS AND LOWER COSTS. YOUR OFFICERS WILL NO LONGER BE WITHOUT THEIR WEAPONS DURING MAINTENANCE PERIODS THAT LAST DAYS TO WEEKS, YOU'LL SUFFER NO FREIGHT CHARGES, AND YOU'LL NO LONGER NEED TO SEND AN OFFICER ACROSS THE STATE FOR A DAY TO PICK UP AND DROP OFF EQUIPMENT. WE COME TO YOU...**

**AS CCA PERFORMS YOUR WORK AND ROUTINE MAINTENANCE WE'LL PROVIDE A LIST OF YOUR WEAPONS, THE WORK PERFORMED, ALL WITH DOCUMENTATION FOR YOUR RECORDS. SIGN UP ANOTHER DEPARTMENT IN YOUR AREA FOR SCHEDULED MAINTENANCE AT THE SAME TIME AND CCA WILL DISCOUNT BOTH DEPARTMENTS.**



X-Ray view of the AR15 (semi-auto) action



### **CONTROLLED CHAOS ARMS**

8401 HWY S52 NORTH  
BAXTER, IA 50028  
515-344-4443

MWARE@CONTROLLEDCHAOSARMS.COM

**"THE INSTRUMENTS OF BATTLE ARE VALUABLE ONLY IF ONE KNOWS HOW TO USE THEM." -COLONEL ARDANT DU PICQ**

**"THE INSTRUMENTS OF BATTLE ARE VALUABLE ONLY IF THEY GO 'BANG' RATHER THAN 'CLICK' WHEN ONE USES THEM."**

**- MICHAEL WARE**